



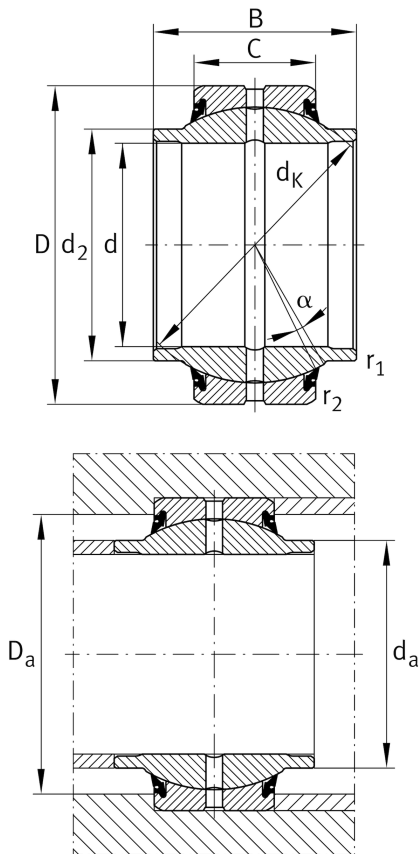
GE35-HO-2RS

Spherical plain bearing

Schaeffler ID:
0066481420000

Radial spherical plain bearing, requiring maintenance, sliding contact surface: steel/steel, cylindrical extensions on inner ring, sealed

Technical information



Main Dimensions & Performance Data

d	35 mm	Bore diameter bearing
D	55 mm	Outside diameter bearing
B	35 mm	Width Inner ring
C_r	79,900 N	Basic dynamic load rating, radial
C_{0r}	400,000 N	Basic static load rating, radial
	0.237 kg	Weight

Dimensions

C	20 mm	Width Outer ring
d_K	47 mm	Ball diameter
α	3 °	Tilt angle
r_{1smin}	0.3 mm	Edge Spacing
r_{2smin}	1 mm	Edge Spacing
d_{OT}	0 mm	Bore diameter bearing, upper tolerance
d_{UT}	-0.012 mm	Bore diameter bearing, lower tolerance
D_{OT}	0 mm	Outside diameter, upper tolerance
D_{UT}	-0.013 mm	Outside diameter, lower tolerance
B_{OT}	0.3 mm	Width inner ring, upper tolerance
G_r	0,05 - 0,1 mm	Radial Clearance
B_{UT}	-0.3 mm	Width inner ring, lower tolerance
C_{OT}	0 mm	Width outer ring, upper tolerance

Mounting dimensions

$d_{a max}$	40 mm	Connection measure Inner ring
$D_{a min}$	44.5 mm	Housing Connection Diameter

Temperature range

T_{min}	-30 °C	Operating temperature min.
T_{max}	130 °C	Operating temperature max.